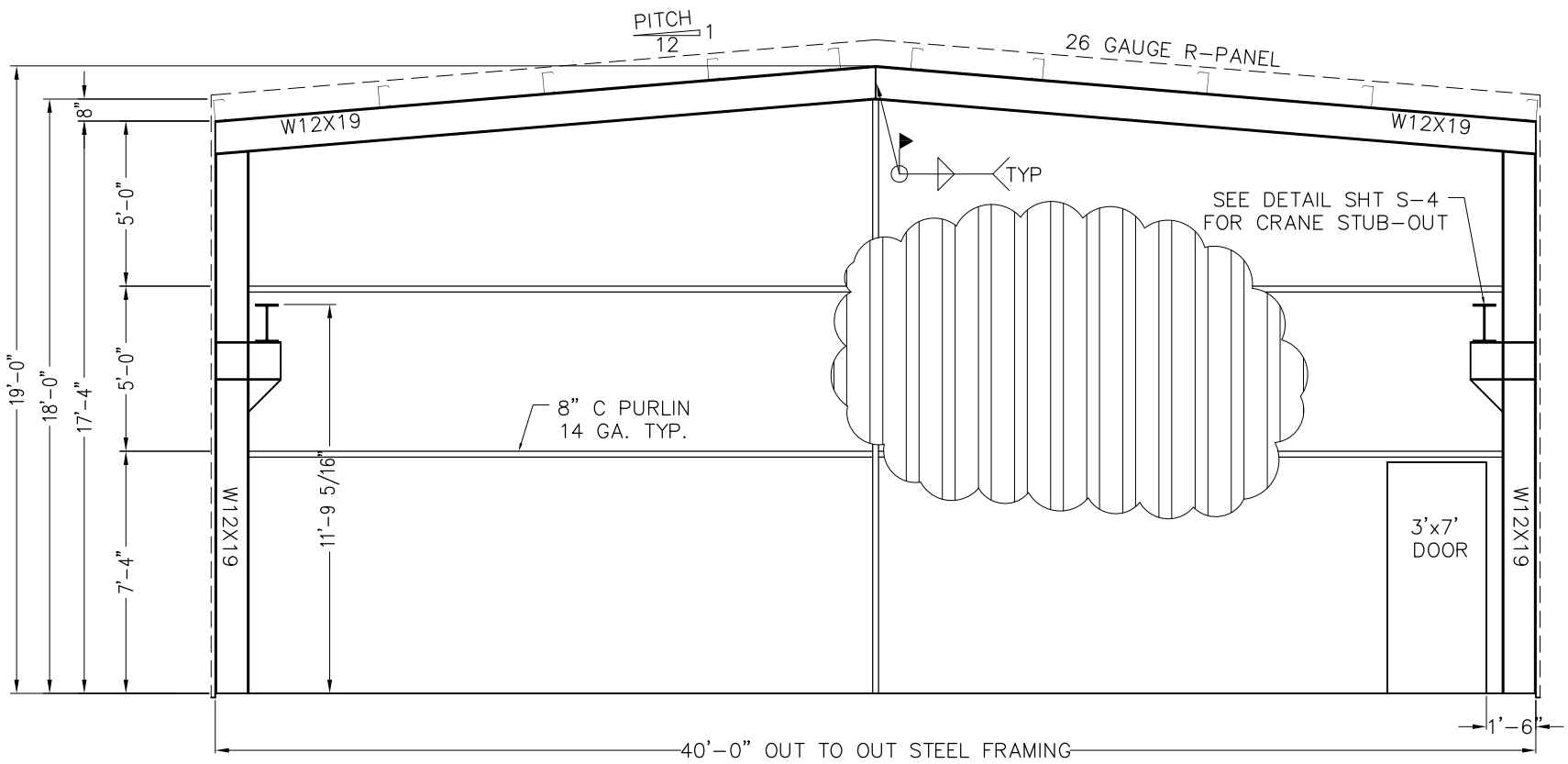


NORTH ENDWALL FRAME ELEVATION—LOOKING SOUTH
 SCALE = 3/16" = 1'-0"



SOUTH ENDWALL FRAME ELEVATION—LOOKING NORTH
 SCALE = 3/16" = 1'-0"

S-3 DRAWING NUMBER: 08/12/13	PROJECT: ESSCO 40'x70' BUILDING ODESSA, TEXAS END WALL ELEVATIONS		BYRD'S I ENGINEERING, LLC SUZANNE C. BYRD, P.E. 3209 STATE HIGHWAY 278 TUCUMCARI, NM 88401 575-361-5800	
			DRAWN BY: SCB CHECKED BY: SCB	PROJECT NUMBER: BIE-13-13
	No.	REVISION	DATE	