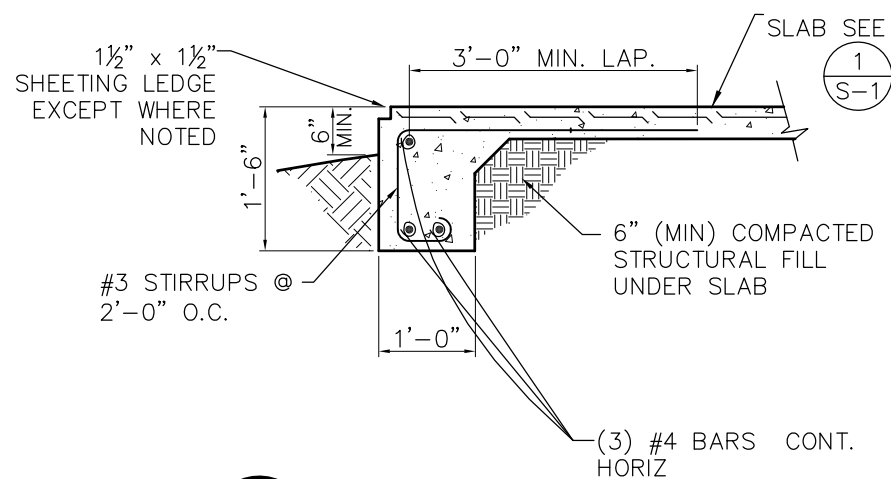


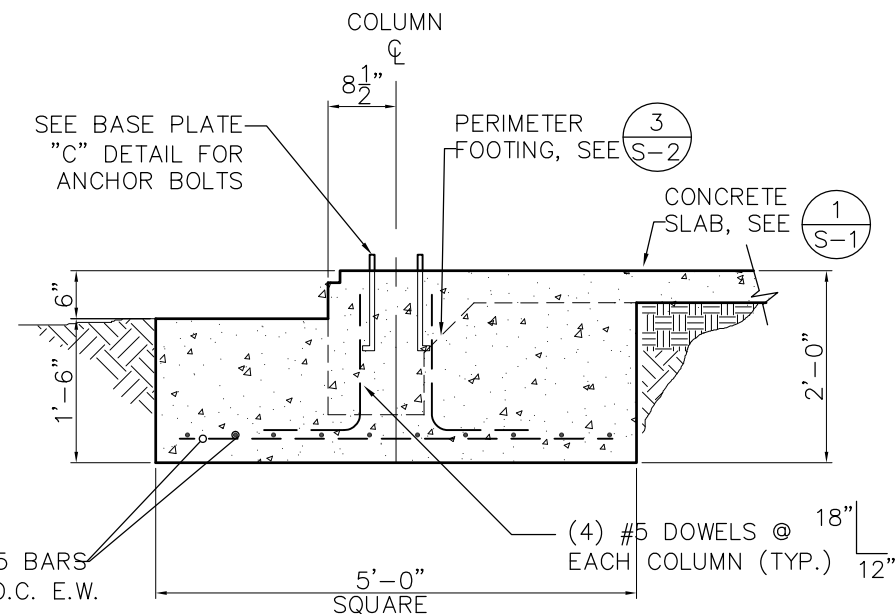
**2** CONTROL JOINT DETAIL  
S-2 SCALE: 1/2" = 1'



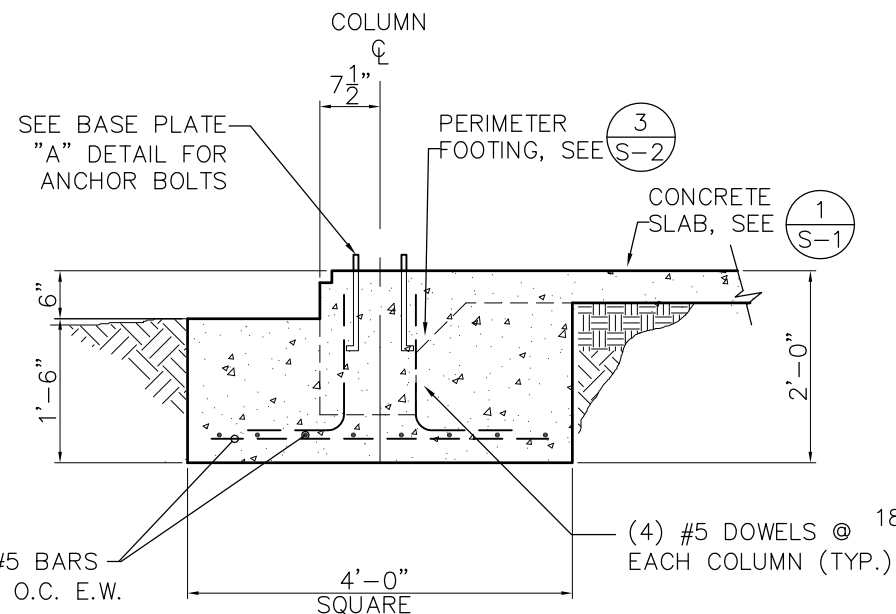
**3** TURNDOWN DETAIL  
S-2 SCALE: 1/2" = 1'

ANCHOR BOLT SUMMARY

	QTY	DET	DIA (IN)	TOT LEN (IN)	BEND LEN (IN)	PROJ LEN (IN)	PLT THK (IN)
○	16	A	3/4"	15	3	2	3/8"
⊗	12	B	5/8"	12	3	2	3/8"
○	16	C	3/4"	15	3	2	3/8"
TOTAL			3/4"	32			
TOTAL			5/8"	12			



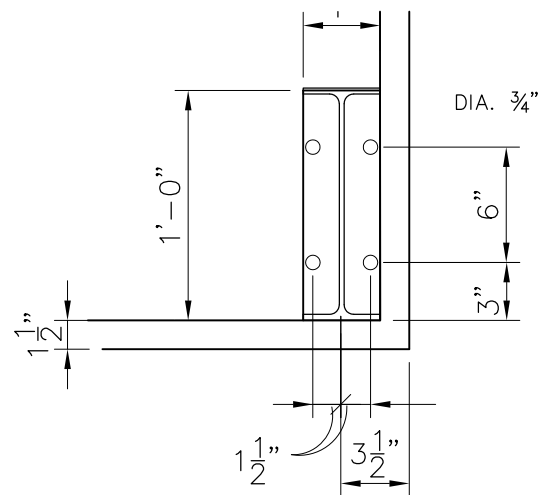
**4** FOOTING FOR MAIN FRAME COLUMNS  
S-2 SCALE: 1/2" = 1'



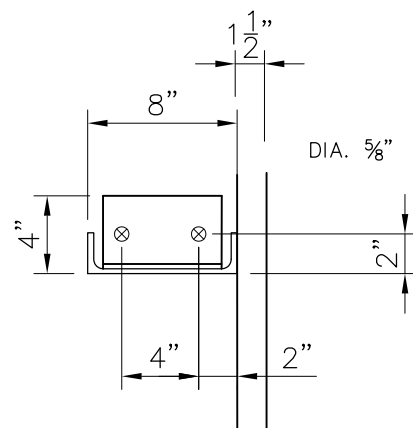
**5** CORNER FOOTINGS  
S-2 SCALE: 1/2" = 1'

NOTES

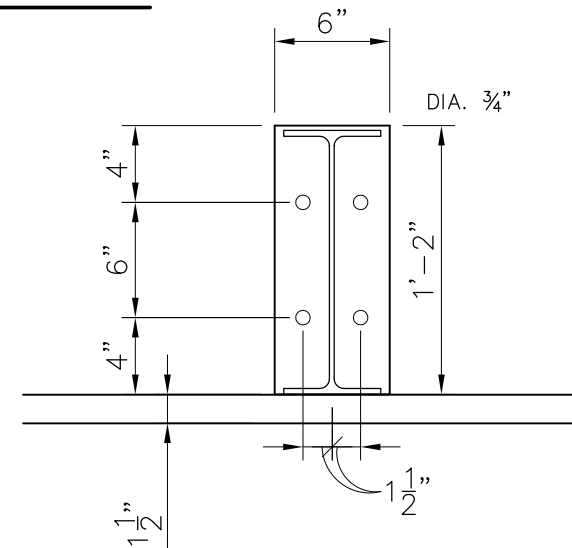
1. ALL CONCRETE TO HAVE A COMPRESSIVE STRENGTH OF 4000 P.S.I AT 28 DAYS.
2. SOIL BEARING CAPACITY ASSUMED AT 2000 P.S.F
3. REINFORCING STEEL SHALL BE ASTM A615-GR 60.



BASE PLATE A DETAIL  
SCALE: NONE



BASE PLATE B DETAIL  
SCALE: NONE



BASE PLATE C DETAIL  
SCALE: NONE

**BYRD'S I ENGINEERING, LLC**  
SUZANNE C. BYRD, P.E.  
3209 STATE HIGHWAY 278  
TUCUMCARI, NM 88401  
575-361-5800

PROJECT: ESSCO 40'x70' BUILDING  
ODESSA, TEXAS

FOUNDATION DETAILS

No.	REVISION	DATE

PROJECT NUMBER:  
**BIE-13-13**

DRAWN BY: SCB  
CHECKED BY: SCB

DRAWING NUMBER:  
**S-2**

06/12/13